

# Installing Real Wood Box Beams

Installing ceiling beams is easy!

**Most of our box beams can be handled by two people. You might need a third helper for our larger box beams.**

## Step 1.

Decide on the placement of your beams. Remember, you may have objects on your ceiling that hinder exact placement, such as lights, fans, AC vents, smoke detectors and fire sprinklers.

## Step 2.

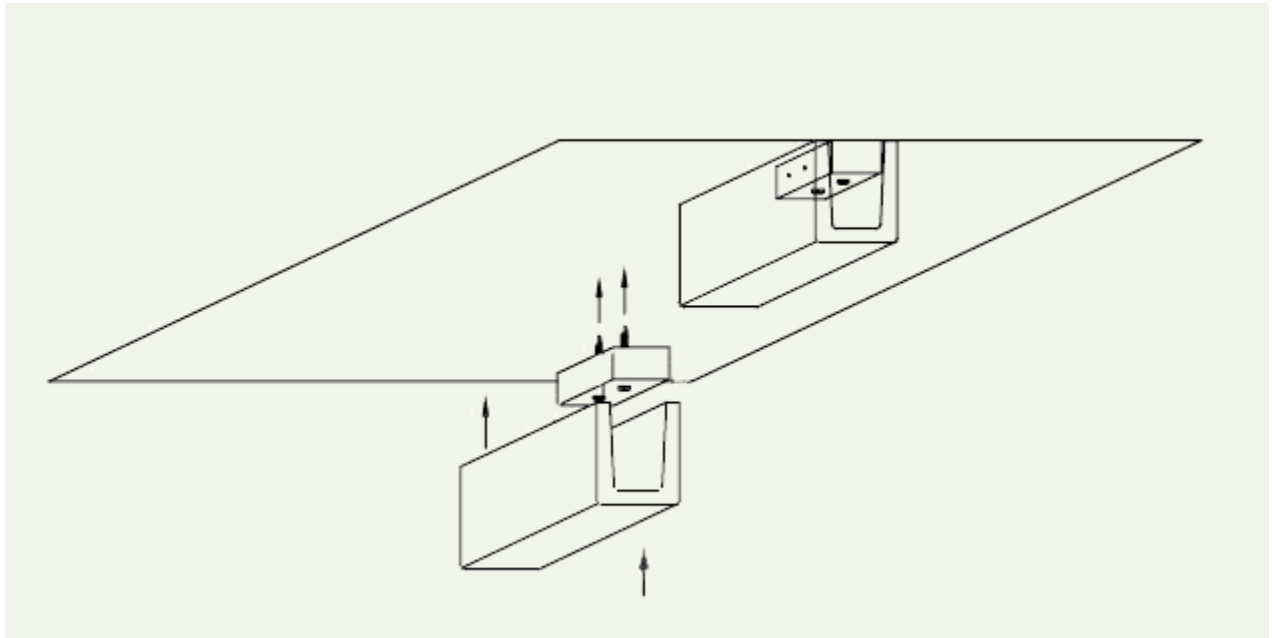
Measure and mark the center of each beam on the ceiling. Snap a chalk line from mark to mark. This will give you a line from one side of the ceiling to the other, to place your supports.

## Step 3.

You should use 2" x 3" or 2" x 4" bevel cut blocks to fit the inner space of your beam. You should use 1 block for every 4 feet of beam. The blocks are best held in place with toggle bolts. Drill holes in the ceiling along the chalk line using a drill bit. Then put your toggle bolts through a hole drilled directly in the center of your blocks. Tighten your blocks as tightly as you can without pulling them through the drywall.

## Step 4.

Measure and cut your beam to length. Place the wood beam over your blocks and nail each side of the beam into the blocks with deck screws. The deck screws should be about 2 inches long.



*Installing Real Wood Box Beams*